

PATTA[®]

Grip Forever

Our components, your key

Index

Blind Rivet Series

PADOM



09

Blind Rivets



10

Blind Rivet Nuts



13

Screw Series

Self Drilling Screws



16

PATEK (Stainless Steel Screws)



19

304 Bi-metal



20

Self Tapping Screws



22

Collated Screws



26

Fixings & Anchors

Fixings & Anchors



30

PACON Concrete Screw Anchors



33

Bolts & Nuts



36

Power Tools

DC Tools



38

Electric Drill



40

Rotary Hammer . Demolition Hammer



41

Angle Grinder



42

Blower



43

Electric Cut-off Machine . Marble Cutter



44

Electric Mixer . Heat Gun



45

Air Tools

Hydraulic Air Riveter



46

Hand Tools

Hand Trucks



50

Multi-Function Hand Riveter



52

Heavy Duty Long Arm Riveter



53

Nut / Thread Setting Hand Riveter



53

Folding Heavy Duty Riveter



53

Hammer Series



54

Utility Knife Series / Pliers Series



56

Allen Wrench



57

Accessories

Power Tape Measures



59

Bits & Sockets / Drill Bits



60

Cutting Wheels & Grinding Wheels



62

Level Ruler / Hacksaw Blades



65

Waterproof Abrasive Paper / Cable Ties



66

Nail

Concrete Nails



68

Hardware

Welding Stud



70

Welding Series



71

Door & Windows

Door Closer PC0770



73

Floor Spring B300 / B330



74

Packaging



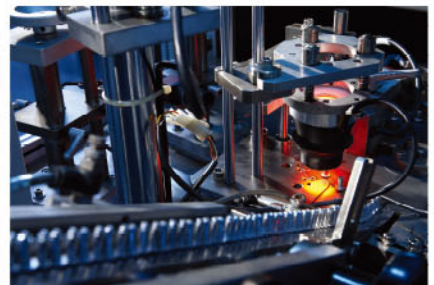
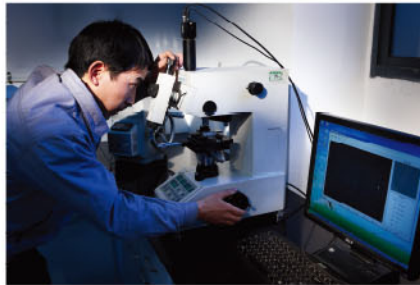
76

Certifications



78

* Technical data shown in the specification table is subject to change without prior notice as per continuous product development and improvement.





Grip Forever

Our Components, Your Key

PATTA®

Professional

provide expertise and know-how in fastener and construction hardware industry

Active

keep improving quality product and service to customers

Trustworthy

with 30-year experience under well-known "PATTA" brand name

Typical

provide unique fastener problem solving

Ambitious

provide a series of activities to meet customers expectation

Blind Rivets



PADOM

Super High Strength Blind Rivet

Specification

Dia

Ø4.8, 6.4, 8.0, 9.6, 12.7, 16.0mm

Mandrel

Body

Steel **Carbon or Alloy Steel**



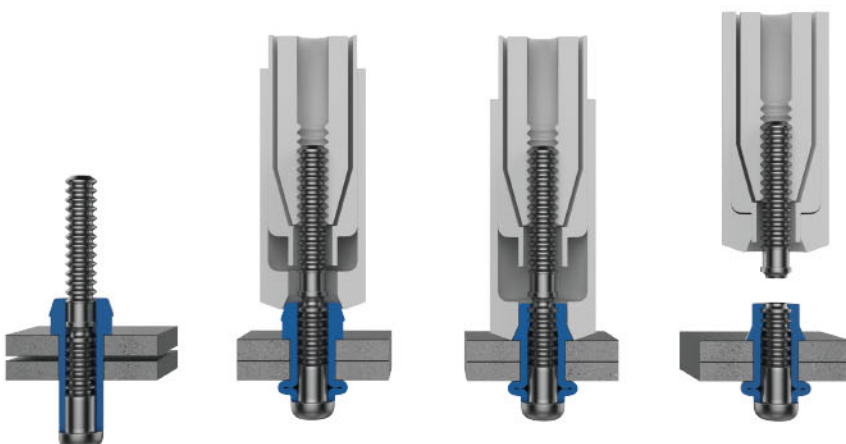
Features

- Vibration resistance & High tensile performance
- Firm, Fast, Safe and Easy installation
- Reducing labor time by eliminating secondary operations
- No need for special training required for welding work

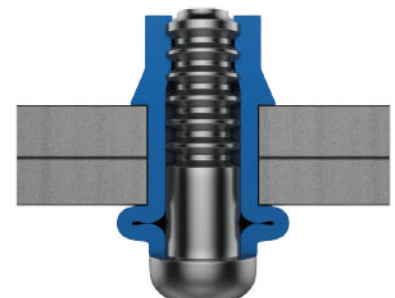
Applications

- General building
- Truck container
- Bridge construction
- Shaft storage rack
- Rail car assembly
- Aircon equipment

Installation



Setting Diagrams



OP
Open End



Material



Advantages

- Strong but lower cost fastener
- Ideal for a wide range of applications
- Available in a variety of materials
- Dome, countersunk or large flange head styles
- Painted color finishes available to match surrounding

DG
Multi-Grip



Material



Advantages

- Optimum clamp-up force
- Accommodates oversized and irregular sized holes
- High mandrel head retention
- Vibration and moisture resistant
- Reduced inventory. It can replace open type up to the sizes

SE
Sealed



Material



Advantages

- Unique cup shaped end configuration seals tight, preventing passage of vapor or liquid through set rivet.
- Provides greater tensile and shear strength than equivalent open end.
- Mandrel retention
- Available in a variety of materials
- Dome or countersunk head styles

MG
Multi-Grip



Material



Advantages

- Optimum clamp-up force
- Accommodates oversized and irregular sized holes
- High mandrel head retention
- Vibration and moisture resistant
- Reduced inventory. It can replace open type up to the sizes



HK High Strength HK-Lok



Material

SS **ST**

Advantages

- Lock, rattle free mandrel
- Superior shear and tensile strength soft and brittle materials inclusive
- Provides excellent integrity
- Fill irregular holes

IB Anlock In-Bolt



Material

SS **ST** **AL**

Advantages

- High shear and tensile strength
- Superior holding power (clamp-up)
- Fastens over wide grip range
- Locking feature prevents loosening of mandrel from vibration

HP High Strength HK-Lok



Material

ST **AL**

Advantages

- Locked, rattle free mandrel
- Superior shear and tensile strength, soft and brittle materials inclusive
- Provides excellent integrity
- Fill irregular holes

OB Anlock Out-Bolt



Material

ST

Advantages

- High shear and tensile strength
- Superior holding power (clamp-up)
- Fastens over wide grip range
- Locking feature prevents loosening of mandrel from vibration

BT
Bulb Tite



Material

AL

Advantages

- Resists pull-out and cracking the work piece
- Excellent for brittle and soft materials like plastics
- Extra large secondary head provides more bearing surface
- With the wide spreading tail, this rivet has a greater tolerance of oversized holes and offers a wide grip range

PE
Peel Blind Rivet



Material

AL
SS

Advantages

- Provide large secondary bearing surface
- Exceptional pull-up / clamp-up properties

SB
Structural Bulb Tite



Material

AL

Advantages

- Airtight and waterproof (with neoprene washer)
- Wide grip range
- High grip strength
- Soft, thin or brittle subject friendly
- Curved or uneven surface

DR
Drive Rivet



Material

AL
SS

Advantages

- Easy to set
- Mandrel is locked in the body
- Various material friendly (wood, plastic, material ...etc)



Open end
Flat Head
Round body



Material

SS **ST** **AL**

Advantages

- High clamping force
- The loading is spread over a large area
- Application for thin or soft materials

Open end
Round Body Head
Round body with knurls



Material

SS **ST**

Advantages

- High turning resistance
- Screw length can be varied
- High clamping force
- Application for area where high strength of turning is required

Open end
Flat Head
Half hexagon body



Material

SS **ST**

Advantages

- High turning resistance
- Screw length can be varied
- High clamping force
- Application for area where high strength of turning is required

Open end
Flat Head
Hexagon body



Material

SS **ST**

Advantages

- High turning resistance
- Screw length can be varied
- High clamping force
- Application for area where high strength of turning is required

Self Drilling Screws





Phillips
Pan Head

Plated

SS **ZN**

Applications

- Skin sheet to steel
- Residential steel frame construction for light duty purpose
- Suitable for stitching 1 thick & 1 thin steel plate



Phillips
Countersunk Head

Plated

SS **ZN**

Applications

- Best choice for fastening in window or door frames purpose
- Using in flat surface required
- Using in pre-drilling hole for fitting



Light Duty
Hex Washer Head

Plated

SS **ZN** **YZ**

Applications

- For medium duty purpose
- Roof deck to steel framing
- Accessories to steel framing



Medium Duty
Hex Washer Head

Plated

SS **ZN** **YZ** **Point 3**

Applications

- For light duty purpose
- Stitch roof deck and wall panel side laps
- Residential steel frame construction
- Brick ties to steel framing



Heavy Duty
Hex Washer Head

Plated

SS **ZN** **YZ** **Point 5**

Applications

- For heavy duty purpose
- Metal deck to structural steel or bar joist
- Clip to structural or bar joist
- Longer length fasteners for sheet application



EPDM
Hex Washer Flange

Plated

ZN **YZ** **Point 3**

Applications

- For medium duty purpose
- Roof deck to steel framing
- Accessories to steel framing





Farmer Screw

Plated Point

ZN **2**

Applications

- Effective seal with EPDM
- Fixing on the overlap panel
- Roof and wall etc. No overlap use a driller to fit screws in the valleys



Phillips Bugle Head

Plated

SS **ZN** **YZ** **BP** Point

Applications

- For using in stitch wood to metal
- Using in flat surface required
- Using in pre-drilled hole for fitting



Phillips Truss Head

Plated

SS **ZN** **BP**

Applications

- Residential steel frame construction
- For using in object like ploy carbonate sheet shadow cover



410 Stainless Steel

Applications

- Architectural moldings and trim
- Excellent corrosion resistance
- Weather resistance, water proof for exterior environment



Phillips Countersunk Wings

Plated

SS **ZN** **YZ** Point

Applications

- Wood mansard to steel frames
- Plywood fascia to steel frames
- Plywood roof and floor sheet to steel frames



Phillips Wafer Head

Plated

SS **ZN** **YZ**

Applications

- Roof and skin sheet to steel
- Residential steel frame construction
- For light duty purpose



Stainless Cap Screw

Plated Point

ZN **2** **3**

Applications

- Prevent rust
- For steel application
- Weather resistance, water proof for exterior environment



Concrete & Masonry

Applications

- Concrete material fixtures
- Flexible flashing
- Suitable for soft brick & masonry work



Double thread

Plated Point

RS **ZN** **5**

Applications

- Roof and wall panel over rigid insulation to steel framing
- Roof panel over spacer block and insulation to eaves purlin



Wing up with washer Hex Washer Head

Plated Point

ZN **YZ** **2**

Applications

- For fiber cement sheet to steel application
- EPDM with good water proof for exterior environment
- Wing up to enhance the drilling performance for fitting in exterior environment

SS

Stainless Steel

RS

Ruspert

ZN

Zinc

YZ

Yellow Zinc

BP

Black phosphate

PATEK

— Self Drilling Screw —

NSSC Stainless Steel

Superior anti-corrosion

Salt Spray Test

5,000-10,000 hrs

Kesternich Test

70 cycles

High Hardness

615-640 HV

High Tensile Strength

1,800 Mpa.

Bi-metal

- High drilling ability and corrosion resistance.
- A2-700N in ISO standard for strength is guaranteed.

High-hardness / High-strength

Drivability of self-drilling screws

Material of Screw	Drivable Steel Sheet Thickness	Tip Hardness (Hv)		
		200	400	600
PATEK	> 5.5mm*			■
Type 410	> 5.5mm			■
Carbon steel	> 5.5mm			■
Type202	1.6mm		■	
Type304	< 1.6mm		■	

* Drivable through 10mm thick steel sheet



High Drilling Capacity

PATEK screw size 5.5 with Tek #5



Stainless steel sheet
3mm thick

Steel sheet
12mm thick

Applications



Size (mm)

PAN	CSK	TRUSS	HWH
4.2X13	4.2X16	4.2X13	5.5X25
4.2X16	4.2X25	4.2X16	5.5X38
		4.2X19	5.5X50
			5.5X65
			5.5X75

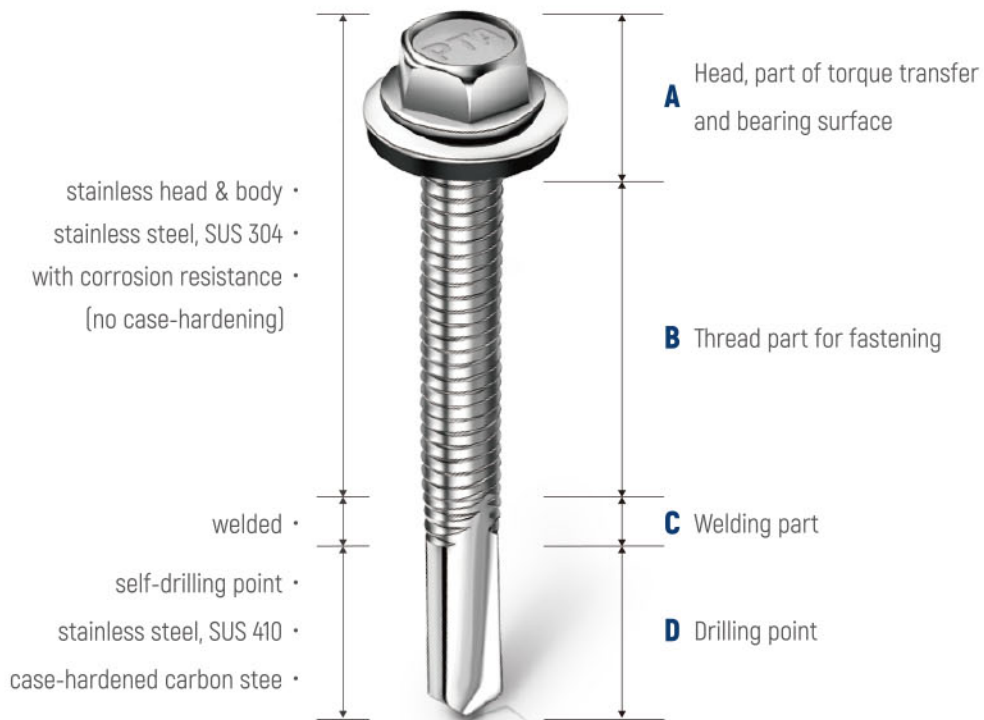
※ Other sizes available upon request

304 Bi-metal

SUS304 Bi-metal screws

combined together two parts by welding, the one consisting of a stainless head which shall be exposed air and a stainless shank which undergoes the full-stress after fastened into materials, and the another is a carbon steel hardened for self-drilling and self-tapping.

Configuration



Strength

- A - No case-hardening for keeping anti-corrosion high. Surface hardness 350HV
- B - Tensile stress value over A2 (700N/mm)
- C - Welding strength over the breaking values for torsion and tensile of part B
- D - Case-hardening for over 600HV



M5.5 x 25 mm



M5.5 x 38 mm



M5.5 x 50 mm



M5.5 x 65 mm



M5.5 x 75 mm



M5.5 x 100 mm

Self Tapping Screws





Drywall Screw

Specification

- Bugle head phillips
- Twinfast thread



Pan Head

Specification

- DIN 7981
- Pan head
- pan phillips combo



Drywall Screw

Specification

- Bugle head phillips
- Coarse thread



Flat Head

Specification

- DIN 7982
- Flat head



Chipboard Screw

Specification

- Flat head, pozi recess



Hex Washer Head

Specification

- Hex washer head



Oval Head

Specification

- DIN 7983 self tapping screw
- Oval phillips



Truss Screw

Specification

- Truss head phillips



Wood Screw

Hexagon Head

Specification

- DIN 571
- Hexagon head



Confirmat Screw

Specification

- Phillips drive or hex



Wood Screw

Flat Head

Specification

- DIN 7997
- Flat head phillips
- Black oxide / zinc



Machine Screw

Specification

- Flat head phillips



Pan Framing Screw

Specification
· Phillips drive



Concrete Screw

Specification
· Flat torx head



Dowel Screws

Specification
· Dowell screw



Break Machine Screw

Specification
· Phillips
· Pozi drive



Hanger Bolt



Stainless Screw

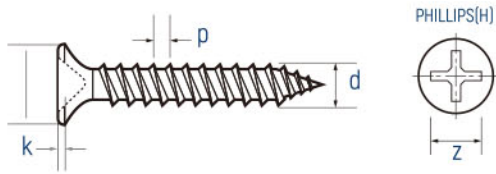
Specification
· Oval Head
· Flat Head
· Pan Head
· Hex Washer Head

Collated Screws



Phillips Bugle Head

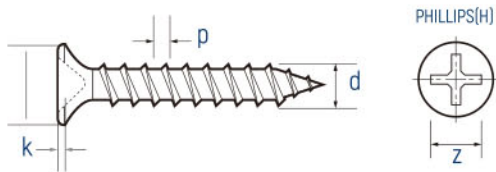
Twinfast Thread



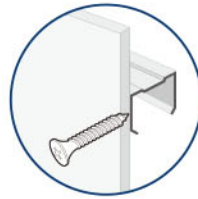
d	dk (max)	k	z	p
M3.5	8-8.4	0.8	No.2	1.49
M3.9	8-8.4	0.8	No.2	1.59



Coarse Thread



d	dk (max)	k	z	p
M3.5	8-8.4	0.8	No.2	2.82
M3.9	8-8.4	0.8	No.2	2.82



Size	(mm)	(inch)		
3.5	25	#6x1"	50pcs / Belt	20Belt (1000pcs) / Box
	32	#6x1-1/4"	50pcs / Belt	20Belt (1000pcs) / Box
	38	#6x1-1/2"	50pcs / Belt	20Belt (1000pcs) / Box
3.9	25	#7x1"	50pcs / Belt	20Belt (1000pcs) / Box
	38	#7x1-1/2"	50pcs / Belt	20Belt (1000pcs) / Box
	50	#7x2"	50pcs / Belt	20Belt (1000pcs) / Box

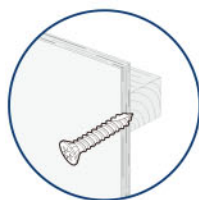


Countersunk Wings



Size	(mm)	(inch)		
3.9	25	#7x1"	50pcs / Belt	20Belt (1000pcs) / Box
	38	#7x1-1/2"	50pcs / Belt	20Belt (1000pcs) / Box
	50	#7x2"	50pcs / Belt	20Belt (1000pcs) / Box

Chipboard Screws



Size	(mm)	(inch)		
3.5	25	#6x1"	50pcs / Belt	20Belt (1000pcs) / Box
	30	#6x1-1/4"	50pcs / Belt	20Belt (1000pcs) / Box
4.5	35	#6x1-3/8"	50pcs / Belt	20Belt (1000pcs) / Box
	40	#6x1-5/8"	50pcs / Belt	20Belt (1000pcs) / Box

Fixings & Anchors





Nylon Plug

Applications

- Concrete & masonry building materials
- Perforated brick and more.....



Nylon Frame Hammer Fixing

Applications

- Concrete
- Sand-Lime solid brick & red solid brick and more.....



Hose Clamp

Applications

- Wildly used with full size range.
- Easy installation by using flathead screw driver.
- Manufactured in fine procedures to ensure well function.
- Quality zinc-plated surface to enhance anti-rust performance.
- Applications: automotive, vessel and construction applications for binding and fixing functions.



Nylon Frame Anchor

Applications

- Wood, hardboard, plaster, metal
- Cinder block, slate, marble, plastic, glass, concrete and more....



Metal Frame Anchor

Applications

- Plastic, wood, slate, hollow brick
- Plaster, metal, cinder block, marble concrete and more....



Wedge Anchor

Applications

- Cracked concrete
- Non-cracked concrete, and more....



Drop-in Anchor

Applications

- Concrete & natural stone
- Pipes, gratings, ventilation systems, sprinkler systems, suspended ceilings and more....



Shield Anchor

Applications

- Concrete, brickwork, blocks work
- Medium duty fixing, garage door, racking to walls, and more....



Bolt Anchor

Applications

- Cracked and non-cracked concrete
- Natural stone, and more....



Cut Anchor

Applications

- Concrete & natural stone
- Steel construction, handrails, consoles, ladders, cable trays and more....



Hammer Drive Anchor

Applications

- Concrete
- Solid brick & natural stone and more....



Plasterboard Fixing Metal

Applications

- Fiber board
- Single & double plasterboard, rear-insulated plasterboard, and more....



Sleeve Anchor Flange Nut Type

Applications

- Concrete, brick, block, stone, gates
- Steel construction, elevator, bathing, equipment, and more....



Plasterboard Fixing Nylon

Applications

- Plasterboard
- Lamp, skirting board, switches, cable ducts, picture frames, and more....



Hollow Wall Anchor

Applications

- Wall board, plaster, paneling, shelves
- Hollow block, lamps, window elements, fiber cement board, and more....

PACON

— Concrete Screw Anchor —

NSSC Stainless Steel

Superior anti-corrosion

Salt Spray Test

5,000-10,000 hrs

Kesternich Test

70 cycles

Bi-metal

Long lifespan project

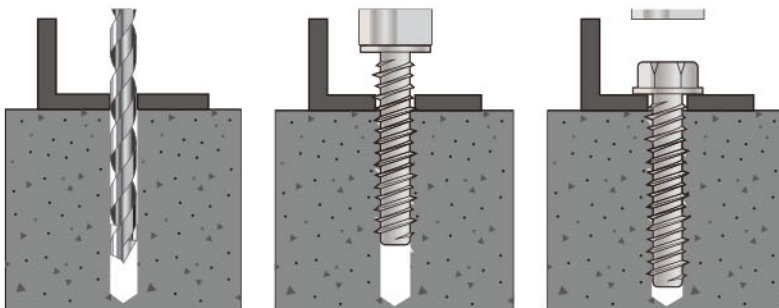
Carbon Steel

Enhance the mechanical property by special heating technique



Features

- Tri-lobe drilling tip with special saw tooth leads it into the concrete easily. [For NSSC & Carbon Steel]
- High hardness. Strong tensile strength.
- No extension transferred to the base material. Avoid complex installation.
- Applicable closer to the edge than traditional expansion anchors.
- Easy maintenance – Disassemble + Removable.
- Performs reliably in cracked and non-cracked concrete.



1. Drill & clean the hole

2. Insert the anchor with socket wrench or an impact driver

3. Tighten the anchor until the fixture is held firm

Size (mm)

M6X50	M8X75	M10X75	M12X75
M6X75	M8X100	M10X100	M12X100
			M12X150

※ Other sizes available upon request

Applications



Bolts & **Nuts**





Hexagonal Head Bolt

· DIN 933



Hexagon Nut

· DIN 934



Hexagonal Head Bolt

· DIN 931



Wing Nut

· DIN 315



Hexagonal Socket Head Cap Screw

· DIN 912



Threaded Rod

· DIN 975



Mushroom Head Square Neck Bolt

· DIN 603



Hex Nut With Plastic Insert

· DIN 985

Power Tools



Electric Drill



DED18

18V / 2.5Ah Battery

Feature

- Keyless chuck with automatic spindle lock
- 24 position clutch and 2-speed gear box
- Holder for screws and bits placement
- Handling design with ergonomics

Impact Wrench



DIW1801

18V / 2.5Ah Battery

Feature

- Up to 3,200 impacts per minute
- 3-Speed selector switch
- Tri-LED light
- Handling design with ergonomics

Impact Wrench



DIW1802

18V / 2.5Ah Battery

Feature

- 3-Speed switch to adjust torque
- Holder for screws and bits placement
- Tool-free guard
- Handling design with ergonomics

Rotary Hammer Drill



DRHD18

18V / 2.5Ah Battery

Feature

- 3 modes selector-rotary hammer, rotational drilling, chisel mode
- Innovative chisel adjust mode
- Variable speed trigger
- Handling design with ergonomics

Angle Grinder



DAG18

18V / 2.5Ah Battery

Feature

- Up to 6,500 rotations per minute
 - Easy trigger switch
 - Tool-free guard
 - Handling design with ergonomics
-



Electric Drill



AEL03-10 / AEL03-10L

Rated Power Input	300 W
No-load Speed	0- 3000 r/min
Max. Drilling Capacity	Steel Φ 10 mm
	Wood Φ 18 mm
Net Weight	1.5 kg



AEL05-13

Rated Power Input	500 W
No-load Speed	0- 1200 r/min
Max. Drilling Capacity	Steel Φ 13 mm
	Wood Φ 20 mm
Net Weight	2.4 kg

Electric Impact Drill



AEL02-6A / AEL02-6AL

Rated Power Input	230 W
No-load Speed	0-3800 r/min
Max. Drilling Capacity	Steel Φ 6.5 mm
	Wood Φ 9 mm
Net Weight	1.2 kg



AEI05-10

Rated Power Input	500 W
No-load Speed	0-2600 r/min
Rated Impacting Frequency	0-41600 (.../min)
Max. Drilling Capacity	Steel Φ 10 mm
	Concrete Φ 13 mm
	Wood Φ 25 mm
Net Weight	2.0 kg

Rotary Hammer



ARH09-30

Rated Power Input	960 W
No-load Speed	1000 r/min
Max. Drilling Capacity	Φ30 mm
Net Weight	5.2 kg



ARH05-20

Rated Power Input	500 W
No-load Speed	0-850 r/min
Max. Drilling Capacity	Φ20 mm
Net Weight	2.9 kg

Demolition Hammer



ADH09

Rated Power Input	1050 W
Rated Impacting Frequency	2900 (.../min)
Net Weight	6.8 kg



ADH10

Rated Power Input	1050 W
Rated Impacting Frequency	3000 (.../min)
Net Weight	5.5 kg

Angle Grinder



AAG08-125

Max. Wheel Diameter	Φ125 mm
Hole Diameter of Wheel	Φ22 mm
Rated Power Input	850 W
Rated Speed	11800 r/min
Net Weight	1.8 kg



AAG07-115

Max. Wheel Diameter	Φ115 mm
Hole Diameter Of Wheel	Φ22 mm
Rated Power Input	710 W
Rated Speed	11800 r/min
Net Weight	1.6 kg



AAG07-100

Max. Wheel Diameter	Φ100 mm
Hole Diameter Of Wheel	Φ16 mm
Rated Power Input	710 W
Rated Speed	13000 r/min
Net Weight	1.6 kg



AAG14-150

Max. Wheel Diameter	Φ150 mm
Hole Diameter of Wheel	Φ22 mm
Rated Power Input	1400 W
Rated Speed	9000 r/min
Net Weight	3.3 kg



AAG20-180

Max. Wheel Diameter	Φ180 mm
Hole Diameter of Wheel	Φ22 mm
Rated Power Input	2200 W
Rated Speed	8300 r/min
Net Weight	5.0 kg



AAG20-230

Max. Wheel Diameter	Φ230 mm
Hole Diameter of Wheel	Φ22 mm
Rated Power Input	2200 W
Rated Speed	6600 r/min
Net Weight	6.5 kg

Blower



AAG08-115

Max. Wheel Diameter	Φ115 mm
Hole Diameter of Wheel	Φ22 mm
Rated Power Input	850 W
Rated Speed	11800 r/min
Net Weight	1.8 kg



ABL04-25

Rated Power Input	480 W
No-load Speed	14000 r/min
The Max Gas Volume	2.5 m ³ /min
Net Weight	1.8 kg

Electric Cut-off Machine



ASC20-355

Wheel Size	355 x 3 x 25.4 mm
Rated Power Input	2000 W
No-load Speed	3800 r/min
Net Weight	16 kg

Marble Cutter



AMC16-110

Blade Diameter	Φ110 mm
Max. Cutting Capacity	30 mm
Rated Power Input	1600 W
Bevel Cutting angle	0°-45°
No-load Speed	12000 r/min
Net Weight	3.2 kg

Electric Circular Saw



ACS11-185

Rated Power Input	1100 W
No-load Speed	5600 r/min
Max. Cutting Capacity	64 mm
Max. Cutting Angle	45°
Net Weight	3.6 kg



ACS20-235

Rated Power Input	2000 W
No-load Speed	4100 r/min
Max. Cutting Capacity	(90°) 85 mm (45°) 60 mm
Max. Cutting Angle	50°
Net Weight	6.5 kg

Electric Mixer

AEM08-160

Rated Power Input	800 W
No-load Speed	680 r/min
Net Weight	2.4 kg



Heat Gun



AHG20

Rated Power Input	2000 W
Low Temperature	50-480 °C
High Temperature	50-600 °C
Air Flow Low Temperature	210-250 °C
High Temperature	340-380 °C
Net Weight	0.8 kg



Hydraulic Air Riveter



PAR-01

						3.2(1/8)	4.0(5/32)	4.8(3/16)
Stroke	Maximum	14mm	Air consumption	@5.5kgf	1.2L	Alum / Steel	● ● ● ● ●	
Pull Force	@5.5bar / 5.5 kgf	6.0kn / 612kgf	per cucle timme			All Stell	● ● ● ● ●	
Weight	kg	1.7kg	Noise	Below	75dB(A)	Stainless / Steel	● ● ● ● ●	
Cycle Time	Second	0.9s	Vibration	Below	2.5 m/s 2	All Stainless	● ● ● ● ●	
Air Pressure	Minimum-maximum	5 - 7kgf	(no exceeding 7kgf)					

PAR-02

						4.0(5/32)	4.8(3/16)	
Stroke	Maximum	17mm	Air consumption	@5.5kgf	2.1L	Alum / Steel	● ● ● ● ●	
Pull Force	@5.5bar / 5.5 kgf	9.34kn / 953kgf	per cucle timme			All Stell	● ● ● ● ●	
Weight	kg	2.1kg	Noise	Below	75dB(A)	Stainless / Steel	● ● ● ● ●	
Cycle Time	Second	0.8s	Vibration	Below	2.5 m/s 2	All Stainless	● ● ● ● ●	
Air Pressure	Minimum-maximum	5 - 7kgf	(no exceeding 7kgf)					

PAR-03

						4.8(3/16)	6.4(1/4)	
Stroke	Maximum	26mm	Air consumption	@5.5kgf	4.3L	Alum / Steel	● ● ● ● ●	
Pull Force	@5.5bar / 5.5 kgf	12.9kn / 1316kgf	per cucle timme			All Stell	● ● ● ● ●	
Weight	kg	2.3kg	Noise	Below	75dB(A)	Stainless / Steel	● ● ● ● ●	
Cycle Time	Second	1.2s	Vibration	Below	2.5 m/s 2	All Stainless	● ● ● ● ●	
Air Pressure	Minimum-maximum	5 - 7kgf	(no exceeding 7kgf)					

For Structural Rivet **PAR-04**

Recommended for industrial Production Line
Supported Rivets: ● Production line ● General Use

AR-600

Specialized for **ST** **AL ST**

Specification

Weight	1.5kg
Operating Air	0.49-0.59MPa(5-6kgf/cm ² m, 71-85psi)
Dimension	255x285x80mm
Air Consumption per rivet	1.5(0.053)
Tool Stroke mm(inch)	14(35/64)
Traction power at 0.59mpa kN (kgf)	8(820)
Applicable break stem rivet	Φ mm: 3.2, 4.0 Φ inch: 1/8, 5/32



AR-800

Specialized for **ST** **AL ST**

Specification

Weight	2kg
Operating Air	0.49-0.59MPa(5-6kgf/cm ² m, 71-85psi)
Dimension	275x315x90mm
Air Consumption per rivet	2.9(0.102)
Tool Stroke mm(inch)	16(41/64)
Traction power at 0.59mpa kN (kgf)	12(1,250)
Applicable break stem rivet	Φ mm: 4.0, 4.8, 6.4 Φ inch: 5/32, 3/16, 1/4



ST
Steel

AL ST
Aluminum
Steel

Hand Tools



Hand Trucks

HT-60

Steel Hand Trucks

Capacity	: 60 kgs
Overall size	: D415 x W395 x H1050mm
Foldable size	: D50 x W385 x H760mm
Packing	: 4 PCS/CTN
Wheel	: 5" TPR wheel
Nose plate	: Aluminum W390 x D280mm
Net Weight	: 4.1 kg



HT-180

Aluminum Hand Trucks

Capacity	: 180 kgs
Overall size	: D600 x W600 x H1280mm
Foldable size	: D100 x W595 x H102mm
Packing	: 1 PCS / 1 CTN
Wheel	: 8" TPR
Nose plate	: Aluminum W590 x D355mm
Net Weight	: 9.7 kg



Made in Taiwan

HT-100

Steel Hand Trucks

Capacity	: 100 kgs
Overall size	: D490 x W525 x H1080mm
Foldable size	: D70 x W480 x H840mm
Packing	: 4 PCS /1 CTN
Wheel	: 7" TPR wheel
Nose plate	: Aluminum W350 x D485mm
Net Weight	: 5.5 kg



HT-250

3 in 1 Aluminum Hand Trucks

Capacity	: 250kgs(2 wheel) / 350kgs (4 wheel)
Overall size	: D1460 x W520 x H1060mm
Foldable size	: D460 x W520 x H1325mm
Packing	: 1 PCS / POLYBAG
Wheel	: 10" Flat Free Wheel + 4" PU Caster
Nose plate	: W18" x D7.5"
Net Weight	: 17.2 kg



Multi-Function Hand Riveter



HR-901N



HR-902N



HR-908N

HR-901N

Specification

Body made of steel Tool dimension: 10 inch / 250mm

Supported Rivet

Specialized for OP type

	2.4 mm 3/32"	3.2 mm 1/8"	4.0 mm 5/32"	4.8 mm 3/16"
Alum / Steel	●	●	●	●

HR-902N

Specification

Aluminum alloy body Tool dimension: 10 inch / 250mm

Supported Rivet

Specialized for OP type

	2.4 mm 3/32"	3.2 mm 1/8"	4.0 mm 5/32"	4.8 mm 3/16"
Alum / Steel	●	●	●	●
Steel / Steel	●	●	●	

HR-908N

Specification

Cross pin made by alloy steel Tool Dimension: 10 inches / 250mm

Supported Rivet

Specialized for OP type

	2.4 mm 3/32"	3.2 mm 1/8"	4.0 mm 5/32"	4.8 mm 3/16"
Alum / Steel	●	●	●	●
Steel / Steel	●	●	●	●
SS / Steel	●	●	●	●
SS / SS	●	●	●	

Heavy Duty Long Arm Riveter HR-701

Specification

Tool Length: 11 inch / 280mm

Supported Rivet

Specialized for OP type



mm inch	2.4 3/32"	3.2 1/8"	4.0 5/32"	4.8 3/16"
Alum / Steel	●	●	●	●
Steel / Steel	●	●	●	●
SS / Steel	●	●	●	
SS / SS	●	●	●	

Heavy Duty Long Arm Riveter HR-702

Specification

Cross pin made by alloy steel
Tool Dimension: 10 inches / 250mm

Supported Rivet

Specialized for OP type



mm inch	2.4 3/32"	3.2 1/8"	4.0 5/32"	4.8 3/16"
Alum / Steel	●	●	●	●
Steel / Steel	●	●	●	
SS / Steel	●	●	●	
SS / SS	●	●	●	

Folding Heavy Duty Riveter HR-8000-1N

Specification

Tool Length: 12 inch / 305mm

Supported Rivet

Specialized for OP type



mm inch	3.2 1/8"	4.0 5/32"	4.8 3/16"	6.4 1/4"
Alum / Steel	●	●	●	●
Steel / Steel	●	●	●	●
SS / SS	●	●	●	

Nut / Thread Setting Hand Riveter HN-901

Specification

Tool Dimension: 13 inches / 330mm

Mandrel capacity

M3(#6), M4(#8), M5(#10), M6(#1/4),
M8(#5/16), M10(#3/8)

Standard accessory

M5(#10), M6(#1/4), M8(#5/16)

M3(#6), M4(#8), M10(#3/8), M12(#3/8) are also available for order.



Claw Hammer

in bent head



Item no.	Size
HBH-Z0008	8oz
HBH-Z0016	16oz

Claw Hammer

with magnet in bent head



Item no.	Size
HBH-Z0016M	16oz

Claw Hammer

in straight head



Item no.	Size
HSH-Z0016	16oz

Claw Hammer

with magnet in straight head



Item no.	Size
HSH-Z0016M	16oz

Ball Pein Hammer



Item no.	Size
HBP-Z0024	24oz
HBP-Z0032	32oz
HBP-Z0040	40oz

Machinist Hammer



Item no.	Size	Item no.	Size
HMT-G0100	100g	HMT-G0500	500g
HMT-G0200	200g	HMT-G1000	1000g
HMT-G0300	300g	HMT-G1500	1500g
HMT-G0400	400g	HMT-G2000	2000g

Cross Ball Pein Hammer



Item no.	Size	Item no.	Size
HCB-M0016	16 mm	HCB-M0022	22 mm
HCB-M0018	18 mm	HCB-M0025	25 mm
HCB-M0020	20 mm		

Stoning Hammer



Item no.	Size	Item no.	Size
HST-G0800	800g	HST-G2000	2000g
HST-G1000	1000g	HST-G3000	3000g
HST-G1500	1500g		

Pick Mattock



Item no.	Size
HPM-G1500	1.5 kg
HPM-G2000	2 kg

Rubber Hammer in TPE



Item no.	Size
HRB-Z0008	8oz
HRB-Z0012	12oz
HRB-Z0016	16oz

Sledge Hammer



Item no.	Size	Item no.	Size
HSL-P0002	2LB	HSL-P0012	12LB
HSL-P0003	3LB	HSL-P0014	14LB
HSL-P0004	4LB	HSL-P0016	16LB
HSL-P0006	6LB	HSL-P0018	18LB
HSL-P0008	8LB	HSL-P0020	20LB
HSL-P0010	10LB		

Kitchen Axe



Item no.	Size
HKA-G0600	600g
HKA-G0800	800g
HKA-G1000	1000g
HKA-G1250	1250g
HKA-G1500	1500g

Utility Knife Series



0141-C

Aluminum alloy utility knife with rubber case, 1+4 blades, SK4, stainless housing holder

Blade size : T-sharp



0331-S

ABS +TPR Rubber case utility knife, 3 blade, SK4, lock, 18mm width, stainless housing holder

Blade size : 18mm width



0321-C

ABS +TPR Rubber case utility knife, 1 blade, SK4, 18mm width, stainless housing holder, In blister card

Blade size : 18mm width

Pliers Series



Combination Pliers
7" / 8"



Long Nose Pliers
6"



Diagonal Cutting Pliers
6"



Allen Wrench

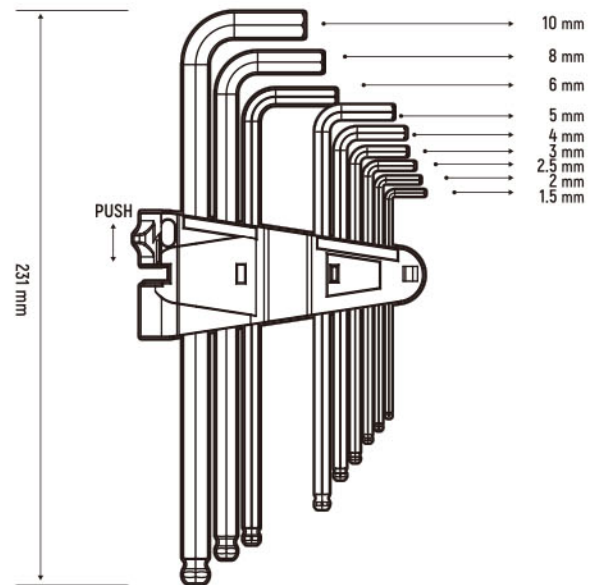
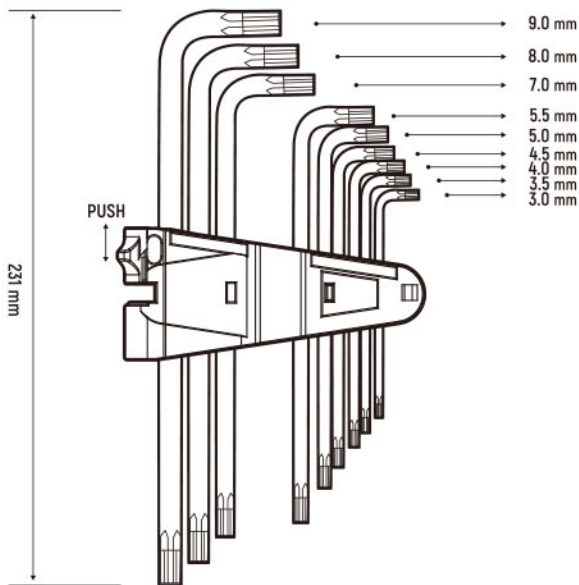
Features

- The storage holder convenient for taking out and safe keeping tools.
- Keys manufactured from chrome vanadium steel giving additional durability and extended life.
- Professionally treated faces give prolonged product usage.



SLC-9A / SMC-9A

BMC-9A / BLC-9A



Size (mm)

★	3	3.5	4	4.5	5	5.5	7	8	9
L	91	102	113	127	142	163	184	205	231
L	15	18	20	23	29	32	38	44	50

Size (mm)

★	1.5	2	2.5	3	4	5	6	8	10
L	91	102	113	127	142	163	184	205	231
L	15	18	20	23	29	32	38	44	50

Accessories



Power Retracting Tape Measure



- Chrome plated casing.
- Length available : 3M, 5M, 7.5M, 10M
- Heat treated steel tape ensures durability and satisfaction during usage.
- When retracting, used side breaking button to reduce recoil speed.
- Coated steel hook protects and reinforceds tape blade.
- Metallic belt clip for your convenience.
- Equipped with holding strap.
- Equipped with 2-stop mechanism.

Spring loaded for fast, excellent retraction.
With side breaking button to control recoil speed.

Packaging



Bits & Sockets

Iron Work Applications, Made of Alloy Steel



Phillips



Square (Roberson)



Pozidriv



Torx



1/4" Hex Shank,
Double-ended Bit



Nut Setters

- Magnetic
- Non-Magnetic

Packaging



Drill Bits



HSS Drill Bit

Size	Dia	x TL	x WL (mm)	PCS/BOX
2	x 49	x 24	10	
3	x 61	x 33	10	
4	x 75	x 43	10	
5	x 86	x 52	10	
6	x 93	x 57	10	
7	x 109	x 69	5	
8	x 117	x 75	5	
9	x 125	x 81	5	
10	x 133	x 87	5	
12	x 151	x 101	5	
13	x 151	x 101	4	

MASONRY

Size	Dia	x TL	x WL (mm)	PCS/BOX
4	x 80	x 45	30	
5	x 90	x 50	30	
6	x 100	x 60	30	
8	x 120	x 80	30	
10	x 120	x 80	30	

SDS Plus

Size	Dia	x TL	x WL (mm)	PCS/BOX
5	x 110	x 50	30	
	x 160	x 100	30	
6	x 110	x 50	30	
	x 160	x 100	30	
8	x 210	x 150	18	
	x 110	x 50	30	
8	x 160	x 100	30	
	x 210	x 150	18	
10	x 110	x 50	30	
	x 160	x 100	30	
10	x 210	x 150	18	
	x 160	x 100	18	
12	x 210	x 150	18	
	x 160	x 100	30	
14	x 210	x 150	30	
	x 160	x 100	18	
16	x 210	x 150	30	
	x 210	x 150	30	
18	x 210	x 150	30	
	x 210	x 150	30	
20	x 210	x 150	30	
	x 410	x 350	25	
22	x 410	x 350	25	
	x 410	x 350	25	



Cutting Wheel

Cutting wheel is composed of abrasive grain, and bonded together by phenolic resin and other filler. Reinforced glass fiber is added to strengthen the wheel structure. Cutting wheel must be used in right angle cutting.



Application:

Angle iron cutting, Iron bar cutting,
Work piece disassembly.

Grinding Wheel

Grinding wheel is composed of abrasive grain, and bonded together by phenolic resin and filler. Reinforced glass fiber is added to strengthen the wheel structure. The depressed center design reinforces the overall structure to ensure the user's safety during grinding operation.







Application:

Grinding, Chamfering, Debarring, Welding cleaning.



Cutting Wheels



metal cutting - flat center

Size - inch (mm)				 Metal	 Inox	 Aluminum	 Cast Iron
4" (105)	x	1/24" (1.0)	x	5/8" (16.0)	●	●	●
4" (105)	x	1/21" (1.2)	x	5/8" (16.0)	●	●	
4.5" (115)	x	1/24" (1.0)	x	7/8" (22.0)	●	●	
7" (180)	x	1/16" (1.6)	x	7/8" (22.2)	●	●	
9" (230)	x	5/64" (2.0)	x	7/8" (22.2)	●		
12" (305)	x	1/8" (3.2)	x	1" (25.4)	●		
14" (350)	x	1/8" (3.2)	x	1" (25.4)	●		
14" (355)	x	1/8" (3.0)	x	1" (25.4)	●		
16" (400)	x	1/8" (3.2)	x	1" (25.4)	●		
16" (400)	x	1/8" (3.2)	x	1-1/4" (32.0)	●		



Cutting Wheels



metal cutting - depressed center

Size - inch (mm)				 Metal	 Inox
4.5" (115)	x	1/21" (1.2)	x	7/8" (22.2)	●
4.5" (115)	x	1/8" (3.0)	x	7/8" (22.2)	●
7" (180)	x	1/16" (1.6)	x	7/8" (22.2)	●
7" (180)	x	1/8" (3.0)	x	7/8" (22.2)	●
9" (230)	x	1/8" (3.0)	x	7/8" (22.2)	●



Grinding Wheels

metal grinding - type 27 depressed center

Size - inch (mm)				 Metal	 Inox
4" (100)	x	1/4" (6.0)	x	5/8" (16.0)	●
4.5" (115)	x	1/4" (6.0)	x	7/8" (22.2)	●
7" (180)	x	1/4" (6.0)	x	7/8" (22.2)	●
9" (230)	x	1/4" (6.0)	x	7/8" (22.2)	●



Level Ruler

Features

- Powerful magnetic surface for accurate hands-free leveling
- TPR covered handle with ergonomic design and more comfortable grip
- Anti-shock flexible rubber cover
- Sided precision milling (precision up to 0.5mm/m)
- Acrylic precision three-wire vial with magnet
- Patented design for flexible rubber cover of both ends to structure loose
- Clear bottom scale for easy measuring

300mm / 400mm / 500mm
600mm / 800mm / 1000mm



High Speed Steel Bi-Metal Hacksaw Blades

18T / 24T / 32T



- Saw blade is light with multiple applications.
- High end bi-metal material with three TPI selections.
- An excellent cutting tool auxiliary for professional.

Features

- KWCT teeth geometry design increases cutting speed which is 33% faster than other competitors.
- Bi-Metal hacksaw blade is not easy to break which increase cutting durability and keep work safely.

Application

- Mold / Tooling business
- Door and window decorate.
- Metal processing
- Plumbing



Waterproof **Abrasive Paper**



Application

- Water resistant
- Paper Sanding Roll for hand sanding and for orbital sander
- Suited for the sanding of extremely hard materials such as stone, glass, perspex, marble, car paint or baked enamel
- Also suitable for wet grinding (without tools)

Grit

60 / 80 / 100 / 120 / 150 /
180 / 220 / 280 / 320



Cable Ties

Made in Taiwan



Features

- Material : UL approved Nylon 6/6
- Flammability : UL 94V-2
- Working Temp. : -40°C to 85°C
- Made to comply with MIL-SPEC M20693B, tensile strength meet or exceed MIL-S 23190E standard

Size (mm)

2.5 x 100 / 3.5 x 150 / 3.5 x 201 / 3.5 x 290
4.6 x 199 / 4.6 x 250 / 4.6 x 302 / 4.6 x 371
7.5 x 370



Concrete Nail



For use on concrete materials, high strength, anti-corrosion

Application

Decorating, Hard Wood, Brick Wall, Concrete Wall.



Angular Spiral Shank Twilled Shank

Diameter		Length
3.0	x	1" 25 mm
3.2	x	1 1/2" 38 mm
3.6	x	2" 50 mm
4.0	x	2 1/2" 65 mm
4.2	x	3" 75 mm
4.5	x	4" 100 mm
4.5	x	5" 125 mm
4.5	x	6" 150 mm

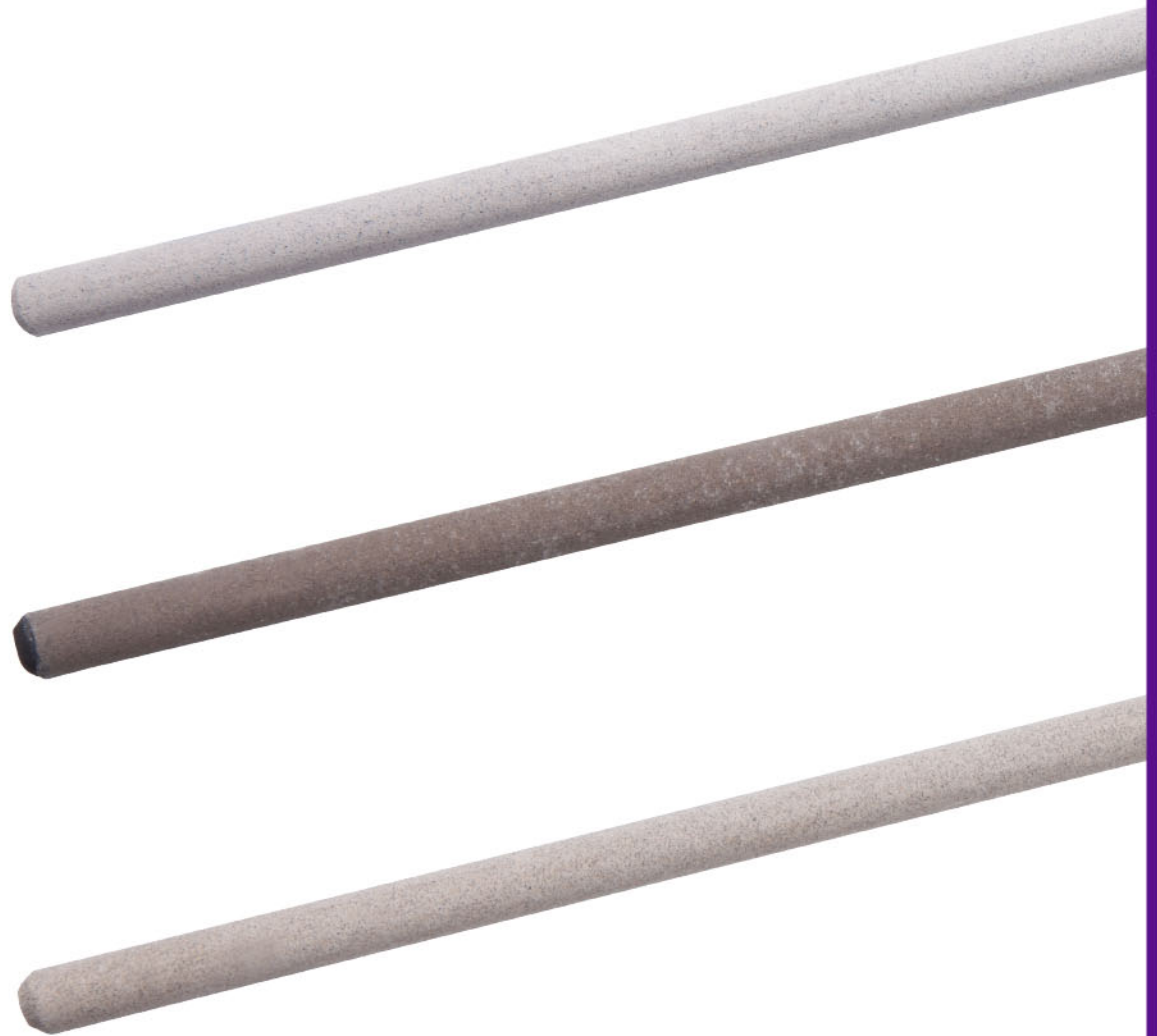


Smooth Shank

Diameter		Length
2.0	x	3/4" 19 mm
2.0	x	1" 25 mm
2.0	x	1 1/4" 32 mm
2.0	x	1 1/2" 38 mm



Hardware



Weld Stud

Material



Brass

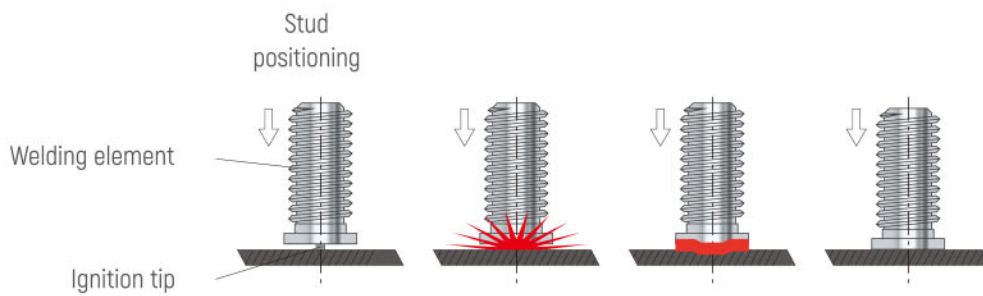


Aluminum



Stainless Steel

Application



- No drilling or tapping
- No cleanup
- Will not vibrate lose
- No weld fillet

Welding Series

Mild Steel

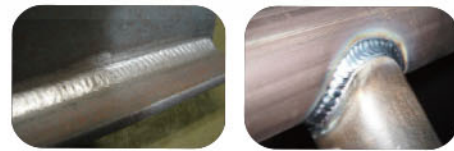
AWS E6013 SMAW



2.5(3/32"), 3.2(1/8"), 4.0(5/32") 350L
5kg/ Box, 20kgs / Carton, 960kgs / Pallet

High Tensile

AWS E7018 SMAW



3.2(1/8"), 4.0(5/32") 350L
5kg/ Box, 20kgs / Carton, 960kgs / Pallet

Stainless Steel

AWS E308L-16 SMAW



2.5(3/32") 300L
4kg/ Box, 16kgs / Carton, 576kgs / Pallet

3.2(1/8") 350L
5kg/ Box, 20kgs / Carton, 720kgs / Pallet

Flux Cored Wires

AWS A5.20 E71T-1C/1M FCAW



1.2, 14, 1.6
15kg / Box, 72Box/Pallet



Door & Windows



Door Closer PC0770

Made in Taiwan

Features

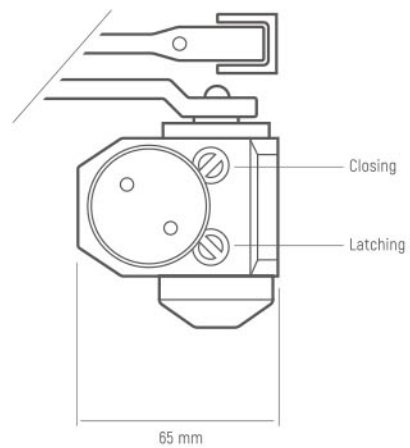
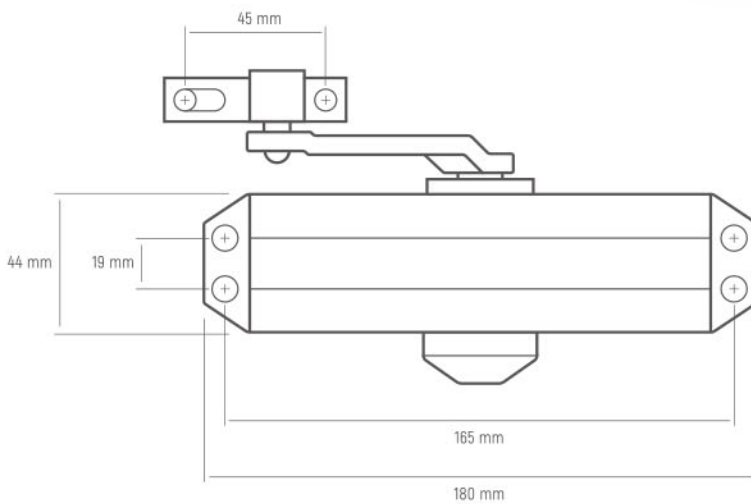
- Selectable position power size 2-4.
- Adjustable closing & latching speed.
- Standard arm mechanism.

Application

- Non-handed installation.

Finishes

- Painted-Silver, Brown, Black, White, Gray, Red-Brown



Packaging



1 pc / box



10 boxes / carton



15 cartons / pallet

Floor Spring B300

No pre-set on the floor

Made in Taiwan

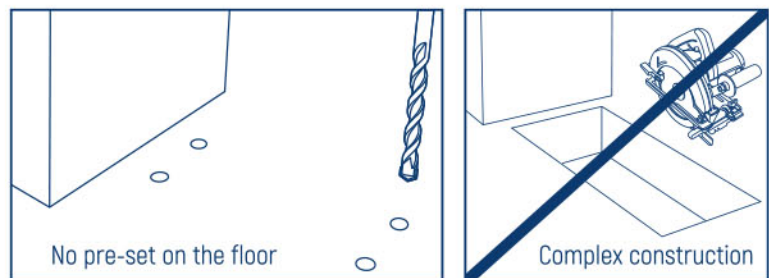


Glass Door

Power Size

	ANSI EN3
Max. Door Width (mm)	1000
Max. Door Weight (kgs)	100
Available glass thickness	8~13

New Floor Spring B300



Application

Suitable for single & double action door
 Available for light & medium duty door
 Adjustable Closing & Latching Speed
 Two non-critical control valves provide dual speed hydraulic closing

Features

Just to drill 4 holes
 Easy to apply
 Shorten the construction time

 15~30mins



Floor Spring B330

No pre-set on the floor

Made in Taiwan



Power Size

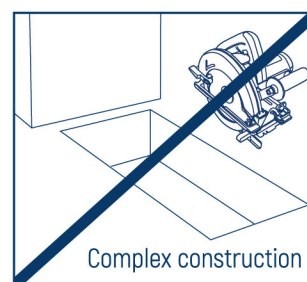
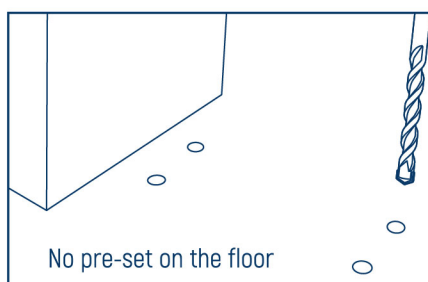
	ANSI EN3
Max. Door Width (mm)	1000
Max. Door Weight (kgs)	100
Minimum timber door thickness (mm)	40

According to EN1154 testing regulation, the door weight over 60kg may not fully comply with the EN1154 standard.

Application

Suitable for double action door
Available for light & medium duty door

New Floor Spring B330



Features

Just to drill 4 holes
Easy to apply
Shorten the construction time

 15~30mins



PATTA

New Packaging





Certifications

Quality assurance is our promise to every customer

ISO 9001

ISO 9001



ISO 14001



CAT ID : PTA-201907

PATTA International Limited

16F No.110, San Duo 4th Rd, Kaohsiung 80247, Taiwan

T 886 7 3362278 | F 886 7 3369577 | E info@patta.com

www.patta.com

